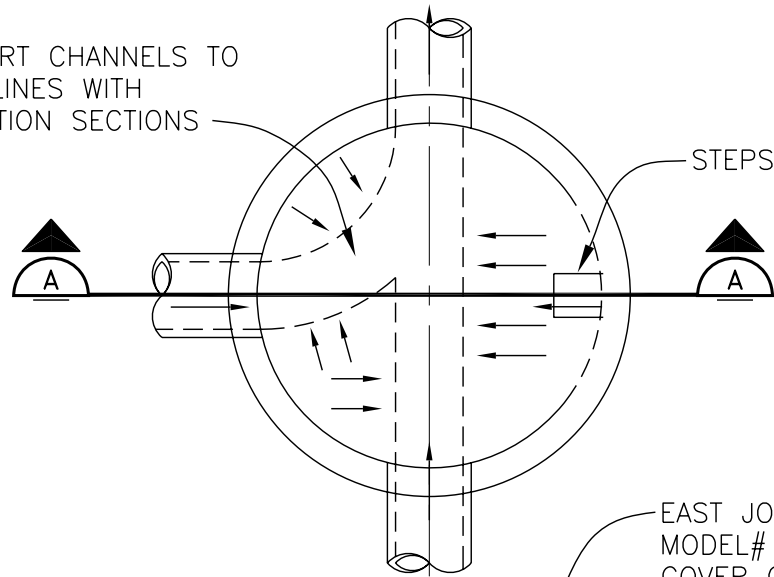


CONSTRUCT INVERT CHANNELS TO  
UNIFORM FLOW LINES WITH  
GRADUAL TRANSITION SECTIONS



STEPS



EAST JORDAN IRON WORKS  
MODEL# 2600 FRAME & 2603  
COVER OR APPROVED EQUAL.

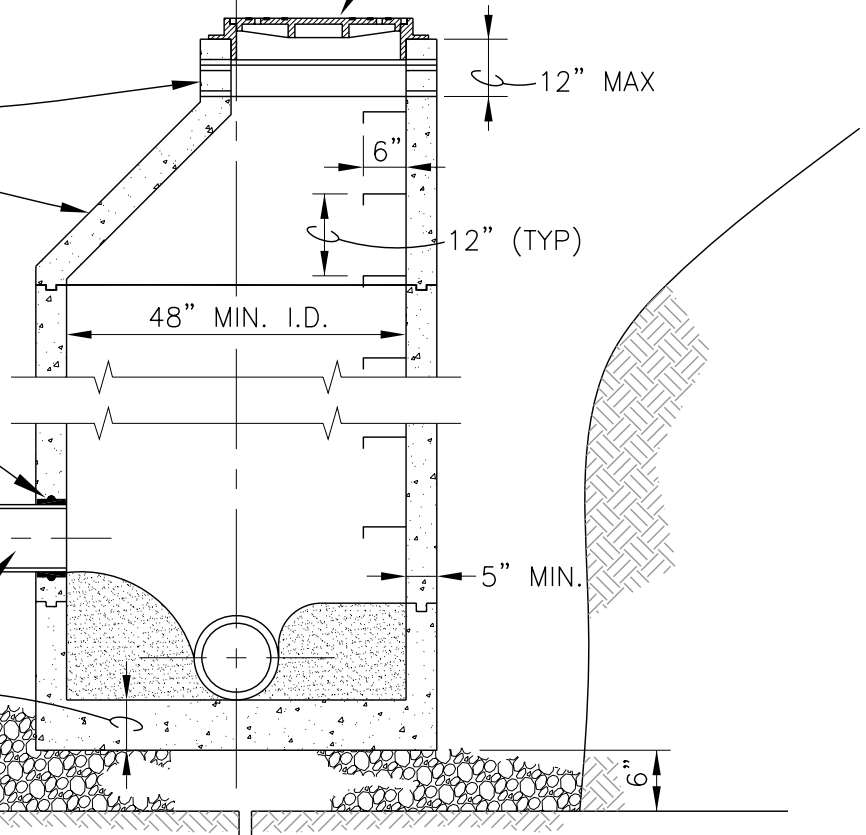
SEE NOTE 1

ECCENTRIC MH TOP

FERNCO CMA OR  
APPROVED EQUAL.

EXTEND PIPE INTO MH  
& GROUT SMOOTH

1"-MINUS  
CRUSHED  
AGGREGATE



SECTION A

NOTES:

1. MANHOLE JOINTS: CONCRETE EXTENSION RING SHALL BE SEALED WATERTIGHT. REFERENCE TECHNICAL SPEC. SECTION 7500.

**WOODBURN**  
OREGON  
Incorporated 1889  
PUBLIC WORKS DEPARTMENT  
ENGINEERING DIVISION

**STORM SEWER  
MANHOLE**

REV: DEC. 2007

SCALE: NTS

DET No.

**7500-1**