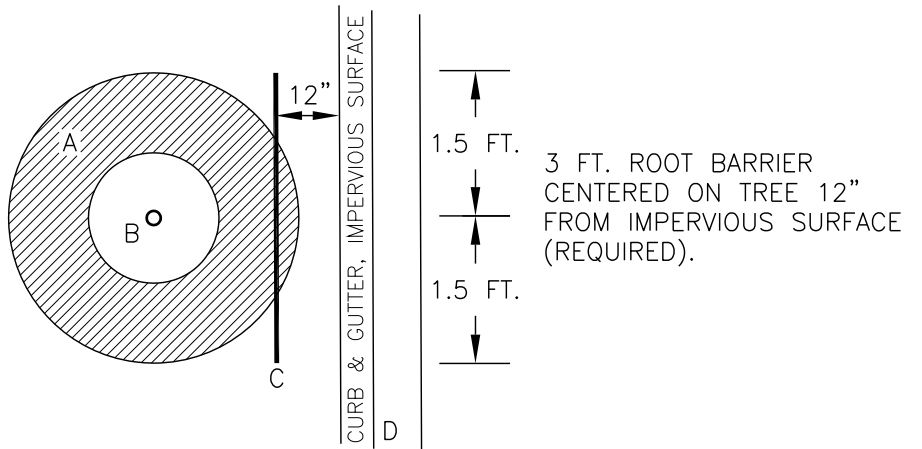


SECTION

- A PLANTING PIT
- B ROOT BALL
- C 18" ROOT BARRIER
- D CURB OR IMPERVIOUS SURFACE



PLAN

WOODBURN
 O R E G O N
Incorporated 1889
 PUBLIC WORKS DEPARTMENT
 ENGINEERING DIVISION

**STREET TREE PLANTING
 REPLACEMENT**

REV: OCT. 2007

SCALE: NTS

DWG No.

1